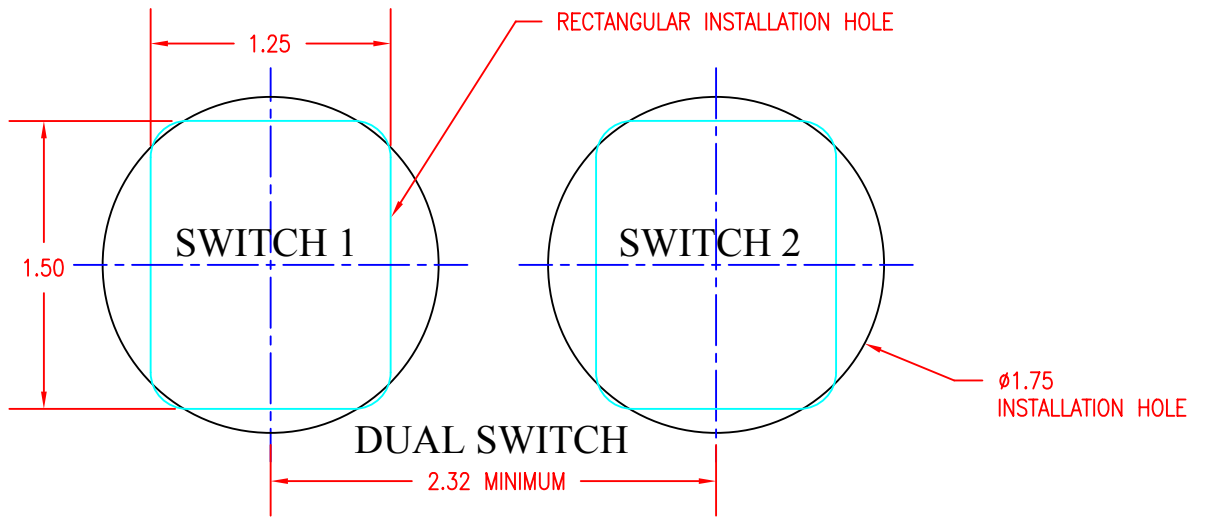
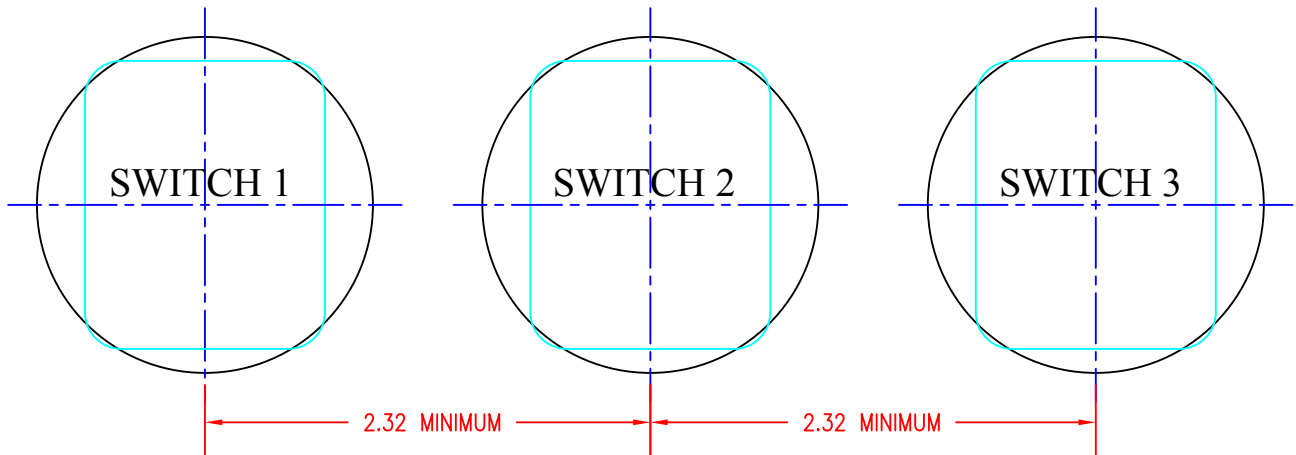


SINGLE SWITCH



DUAL SWITCH



THREE SWITCH