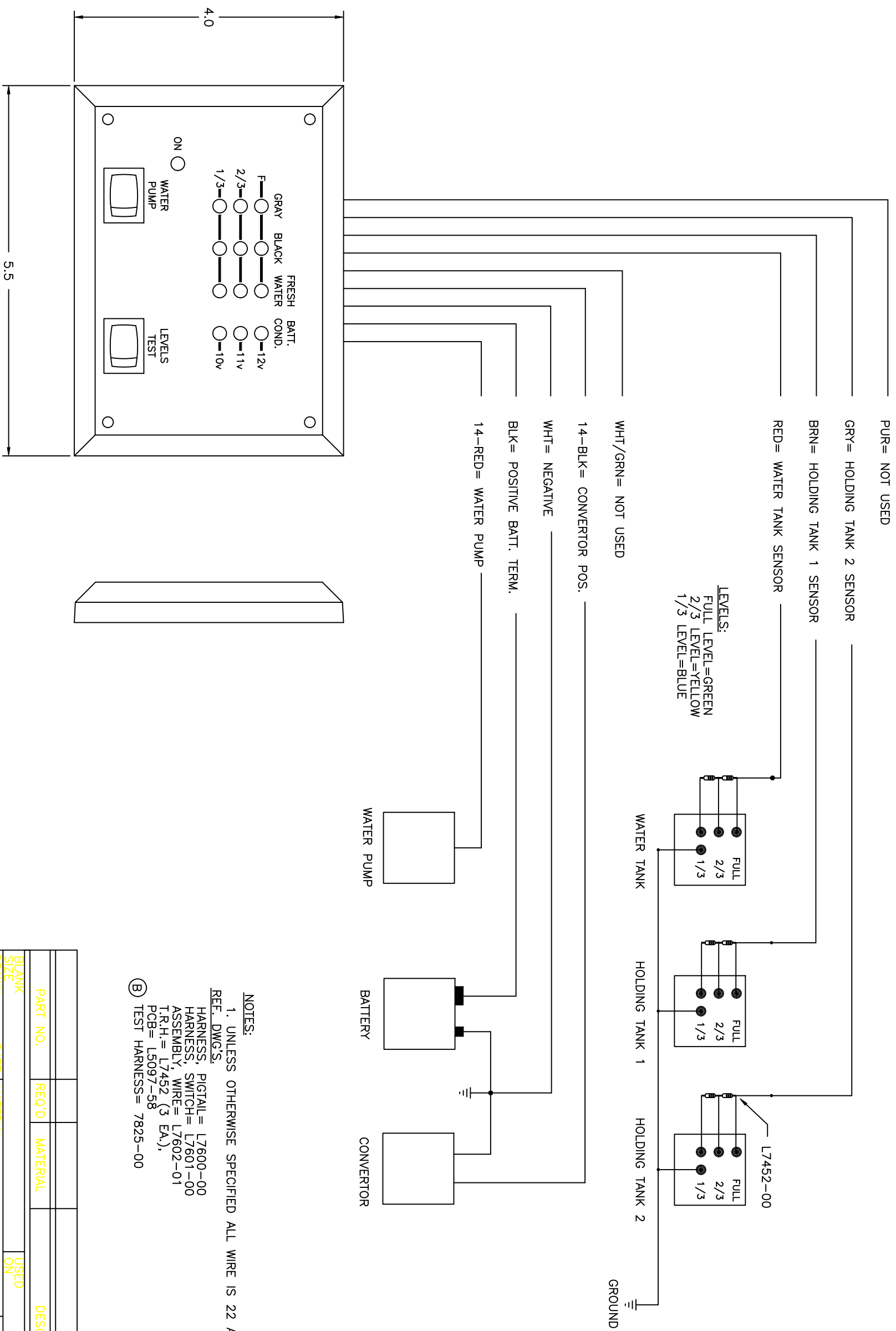


CONFIDENTIAL
 THIS DOCUMENT, INCLUDING ALL INFORMATION CONTAINED HEREIN, IS THE EXCLUSIVE AND CONFIDENTIAL PROPERTY OF VENTILINE DIVISION OF TOMKINS INDUSTRIES INC. THE DOCUMENT AND INFORMATION ARE NOT TO BE COPIED, REPRODUCED OR DELIVERED TO OTHERS, IN WHOLE OR IN PART, WITHOUT THE EXPRESS WRITTEN PERMISSION OF VENTILINE. THE DOCUMENT IS TO BE RETURNED PROMPTLY TO VENTILINE AFTER HAVING SERVED THE PURPOSE FOR WHICH DELIVERED.

© 1995 VENTILINE DIVISION, TOMKINS INDUSTRIES, INC.
 All Rights Reserved, including the right to reproduce this document or any part thereof

ECN	LTR.	DESCRIPTION	DATE	CHK. BY	CHK. BY
15016	B	SPECIFIED TEST HARNESS L7825-00	08/16/00	RTP	MPR
17071	C	REVISED & SEE SHEET 2	11/22/06	MRH	MJC
17116	D	SEE SHEET 2	03/15/07	MRH	MJC

L9144-00
 PG 1 OF 2



NOTES:
 1. UNLESS OTHERWISE SPECIFIED ALL WIRE IS 22 AWG.
 REF. DWG'S:
 HARNESS, PIGTAIL = L7600-00
 HARNESS, SWITCH = L7601-00
 ASSEMBLY, WIRE = L7602-01
 T.R.H. = L7452 (3 EA.),
 PCB = L5097-58
 TEST HARNESS = 7825-00

BLANK SIZE	USED ON	DESCRIPTION	DWG SIZE
PART NO.	REQ'D	MATERIAL	
DATE	DATE	MATERIAL	
UNITS OF MEASURE: INCHES UNLESS SPECIFIED	DATE	NAME	
TOLERANCE UNLESS OTHERWISE SPECIFIED	DATE	FUNCTION	
0.0 = ±.020	DATE	DRAWING	
0.00 = ±.010	DATE	DRAWING NO.	
0.000 = ±.005	DATE	DRAWING NO.	



SCALE: NONE
 DRAWING NO. L9144-00
 PG 1 OF 2

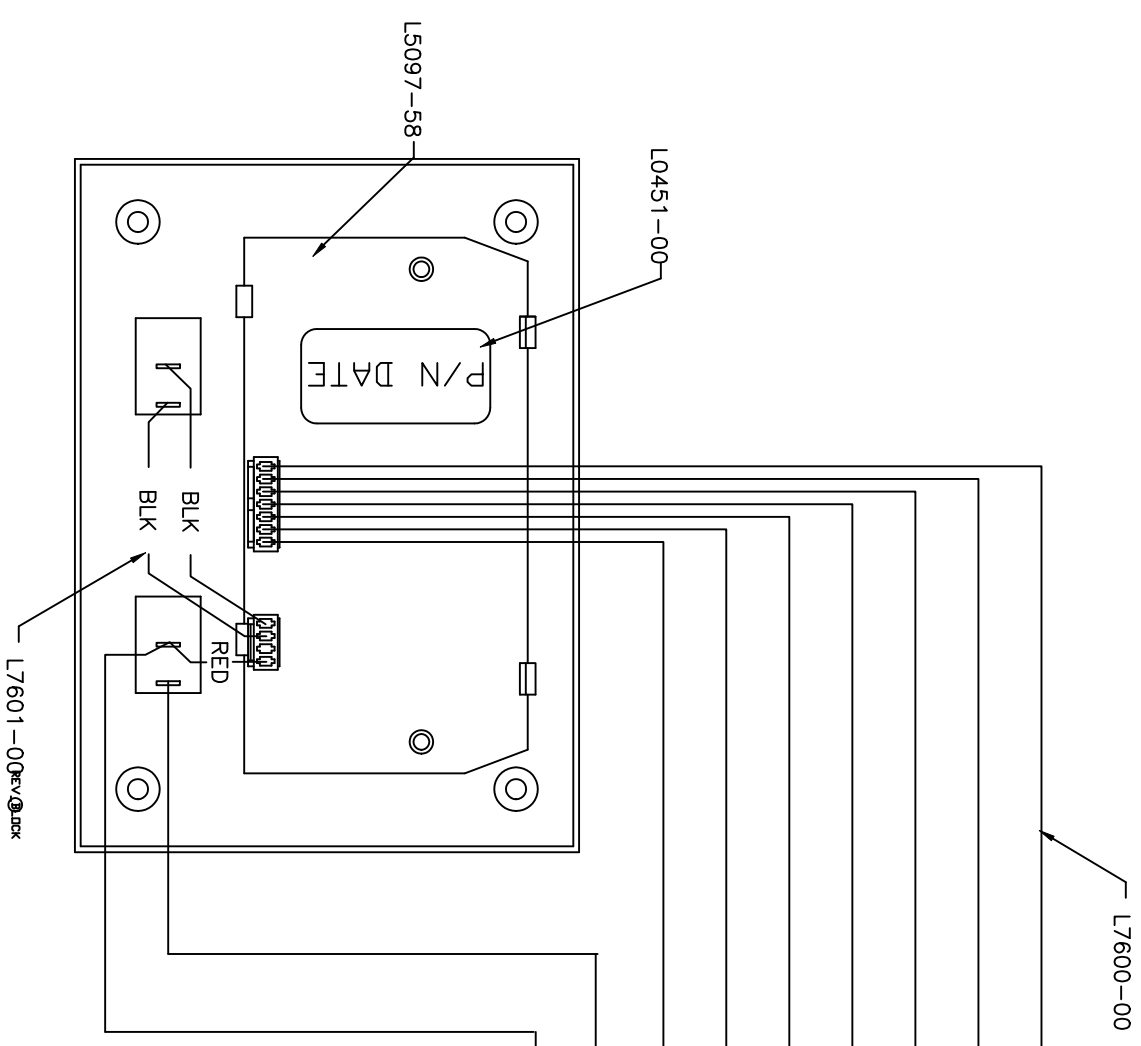
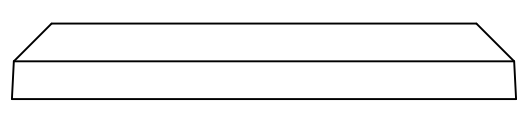
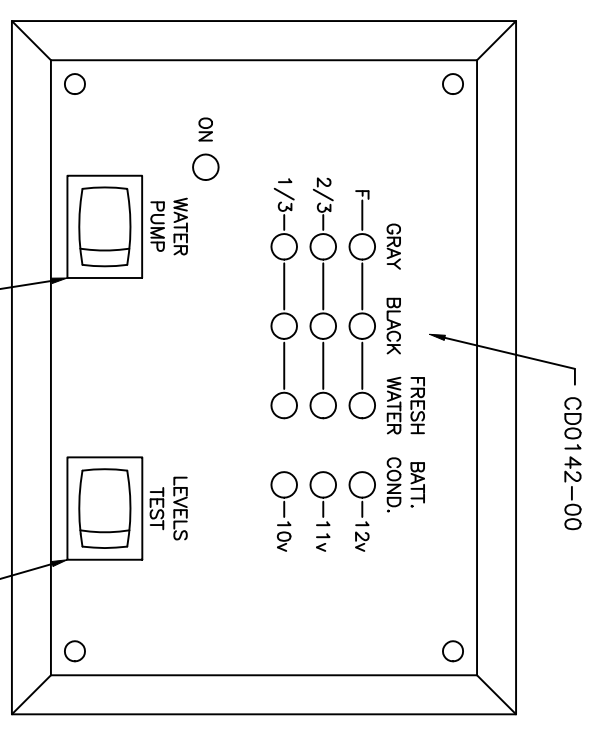
CONFIDENTIAL
 THIS DOCUMENT, INCLUDING ALL INFORMATION CONTAINED HEREIN, IS THE EXCLUSIVE AND CONFIDENTIAL PROPERTY OF VENTURINE DIVISION OF TOMKINS INDUSTRIES, INC. THE DOCUMENT AND INFORMATION ARE NOT TO BE COPIED, REPRODUCED OR DELIVERED TO OTHERS, IN WHOLE OR IN PART, WITHOUT THE EXPRESS WRITTEN PERMISSION OF VENTURINE. THE DOCUMENT IS TO BE RETURNED PROMPTLY TO VENTURINE AFTER HAVING SERVED THE PURPOSE FOR WHICH DELIVERED.

© 1995 VENTURINE DIVISION, TOMKINS INDUSTRIES, INC.
 All Rights Reserved, including the right to reproduce this document or any part thereof

L9144-00

PG 2 OF 2

ECN	LTR.	DESCRIPTION	DATE	CHG. BY	CHK. BY
15016	B	SPECIFIED TEST HARNESS L7825-00	08/16/00	RTP	MPR
17071	C	REVISED & L7601-00 WAS L9601-00	11/22/06	MRH	MJC
17116	D	L7602-01 WAS MIS-LABELLED TO RED WIRE	03/15/07	MRH	MJC



NOTES:
 1. UNLESS OTHERWISE SPECIFIED ALL WIRE IS 22 AWG.

REF. DWG'S.
 HARNESS, PIGTAIL= L7600-00
 HARNESS, SWITCH= L7601-00
 ASSEMBLY, WIRE= L7602-01
 T.R.H.= L7452 (3 EA.),
 PCB= L5097-58
 TEST HARNESS= 7825-00

UNITS OF MEASURE: INCHES UNLESS SPECIFIED
TOLERANCE UNLESS OTHERWISE SPECIFIED
0.0 = ±.020 FRACTIONS = ±1/16
0.00 = ±.010 ANGLES = ± 1°
0.000 = ±.005

PART NO.	REQ'D	MATERIAL	DESCRIPTION	DWG SIZE
CB0493-03	1	BAG		A
L0977-00	0.0004	TAPE		A
L7602-01	1	ASSEMBLY, WIRE		A
L7601-00	1	HARNESS, SWITCH		D
L7600-00	1	HARNESS, PIGTAIL		D
L5097-58	1	PCB		B
L0451-00	1	LABEL		A
L0111-00	1	SWITCH, SPST MOM, BLK		A
L0108-00	1	SWITCH, SPST, BLK		A
CD0142-00	1	ABS CHASSIS, BLACK		B

DRAWN	DATE	MATERIAL	USED ON
SAW	11/04/92	SEE BOM	
CHECKED	DATE	NAME	
RJR	11/06/92	ASSEMBLY	
APPV'D	DATE	DRAWING	
		DRAWING	

SCALE: NONE	DRAWING NO. L9144-00
VENTURINE DIVISION OF PHILLIPS BRISTOL, INDIANA 46507	
PAGE 2 OF 2	